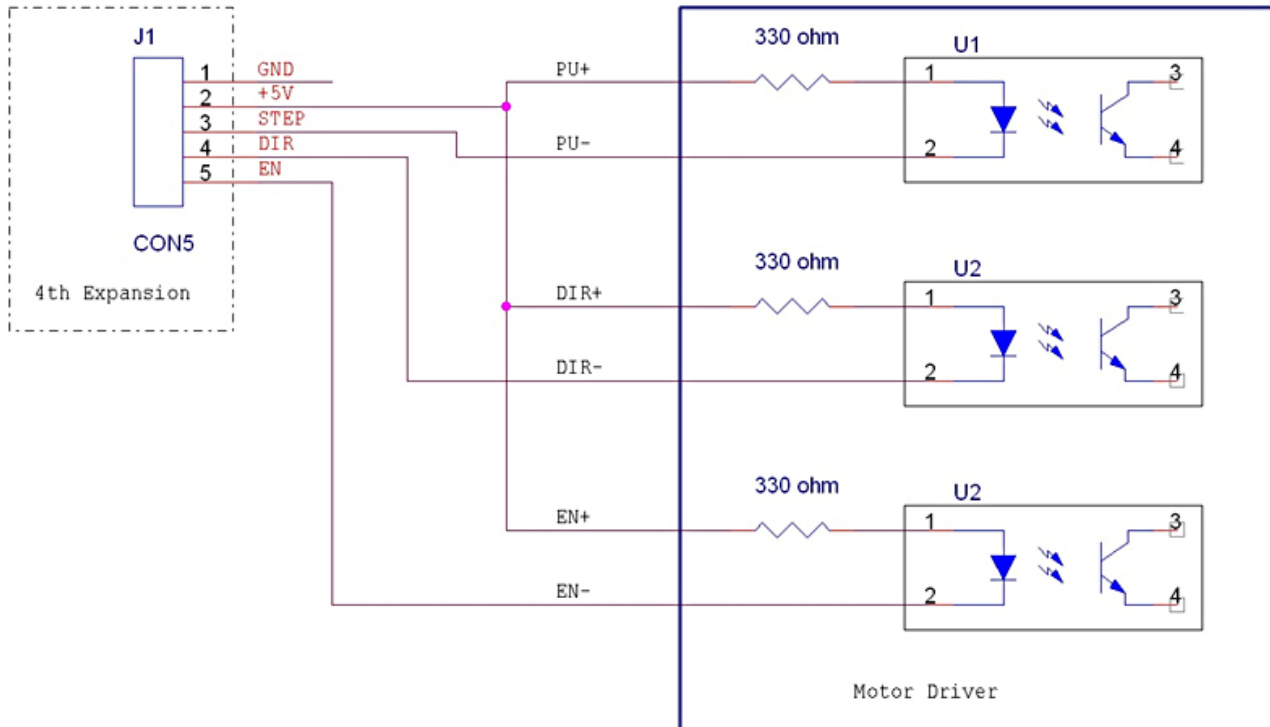
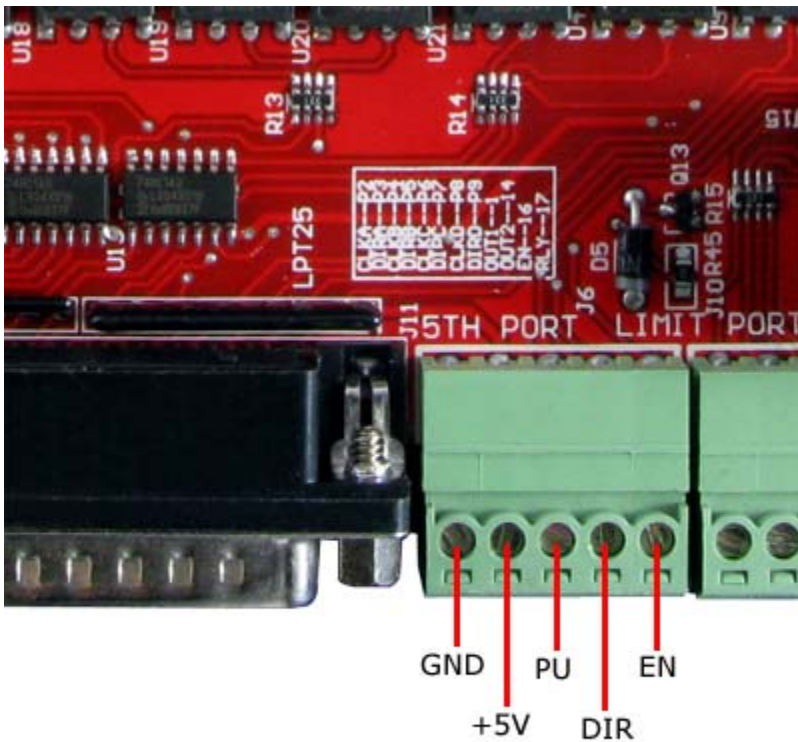


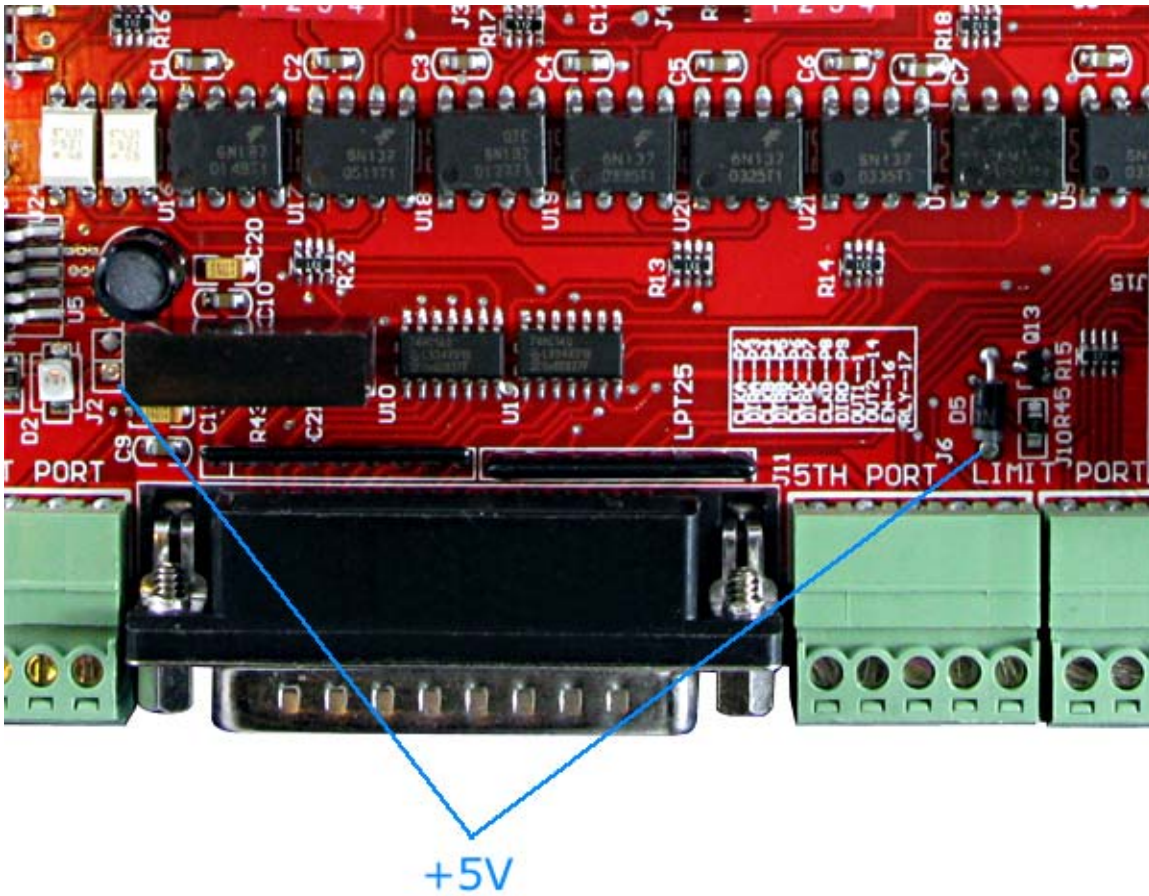
4th Axis Expansion on 3 Axis Stepper Controller



Picture1. Connection diagram for the 4th expansion



Picture2. 4th Expansion connector



Picture3. 5V Override.

Note: there is a small 'bug' on this board. The engineer placed 5V in the front of a photo-coupler so the 5V appear on the connector (see picture 2) should not be used. As doing so, the isolation broke. Instead, please get 5V according to the picture 3. The next batch of 3-Axis board will get this issue fixed